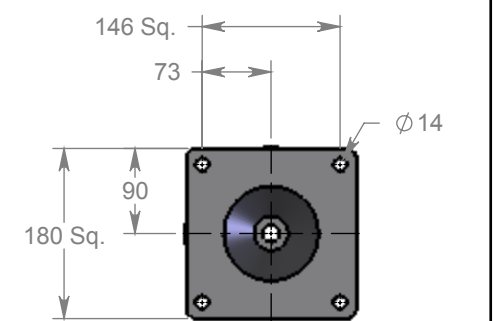
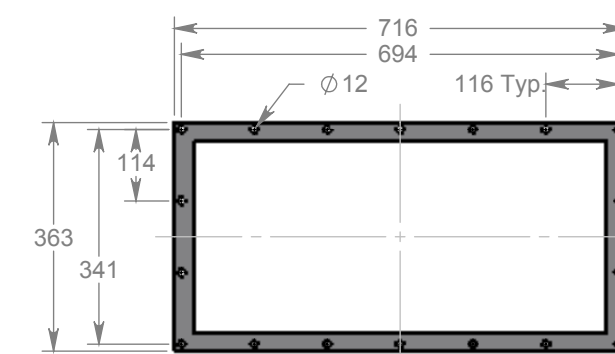
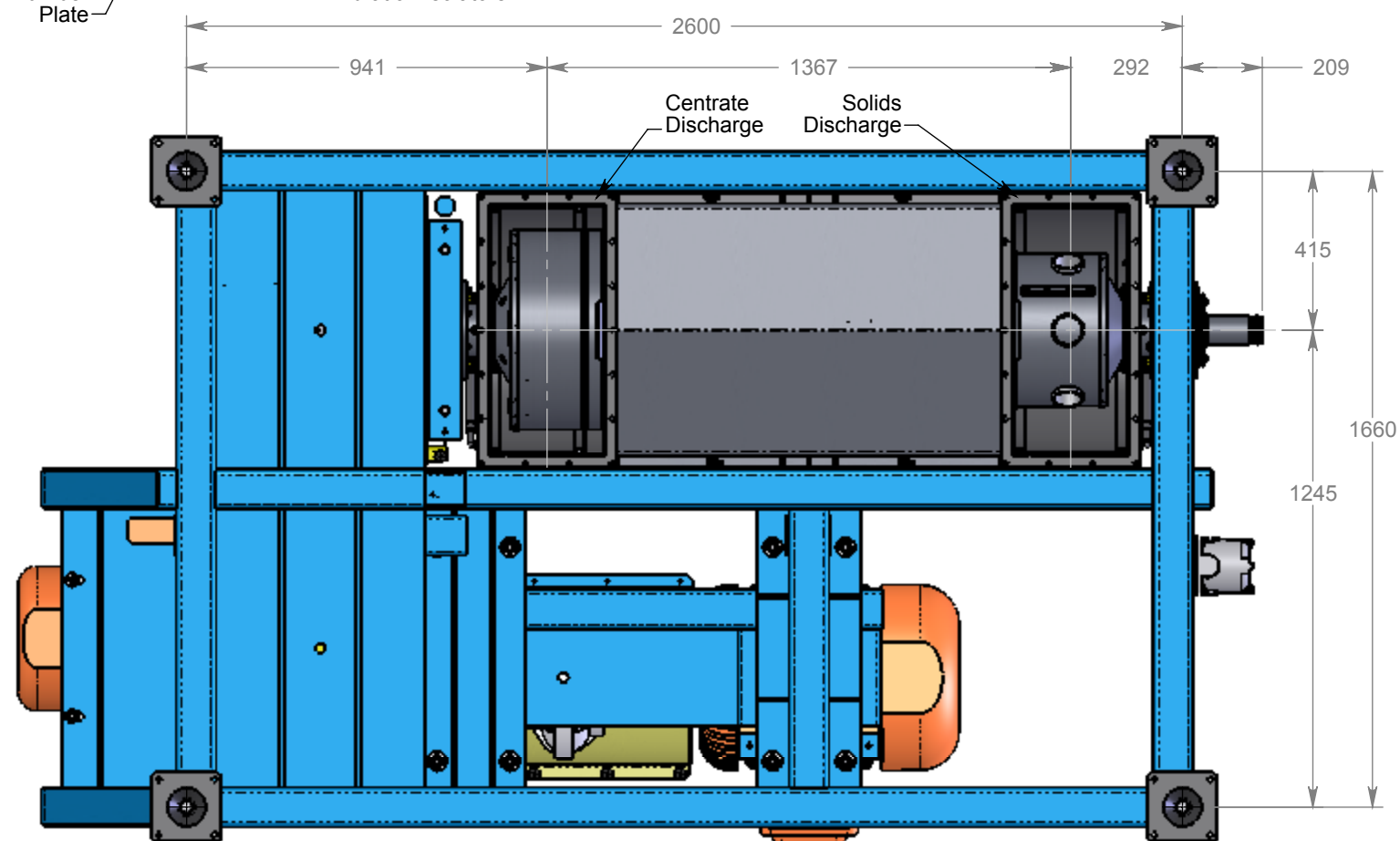
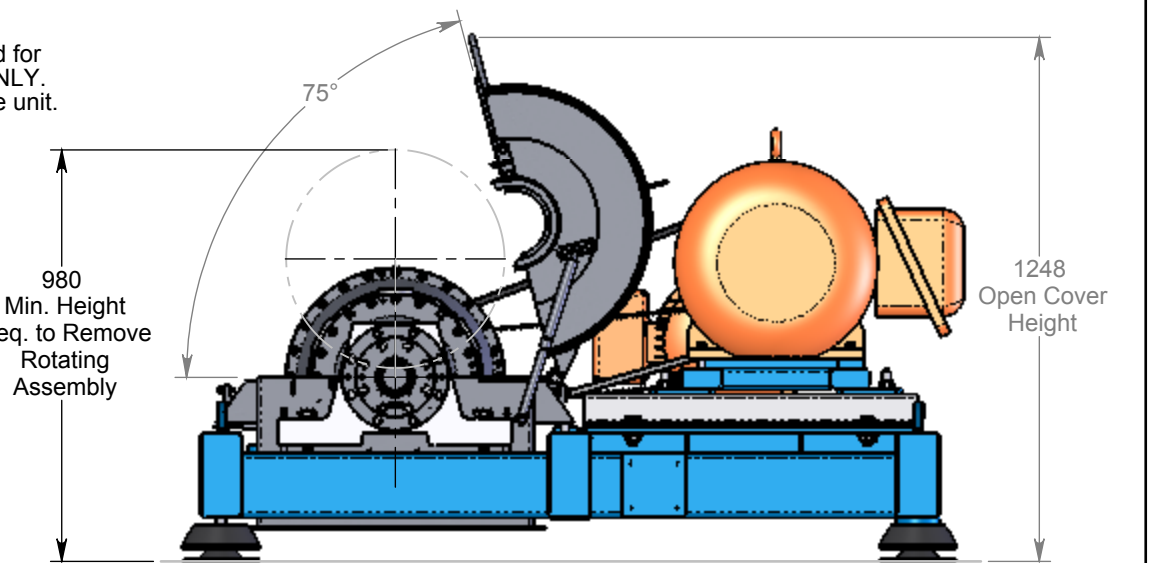


Note:  
Cover Hooks to be used for  
Main cover Removal ONLY.  
Do NOT use to lift entire unit.



**Weights:**

**Rotating Assembly 2250 lbs.**  
**Complete Centrifuge 6355 lbs.**

**Static Load Below each Point of Centrifuge:**  
**A=1686 lbs.**  
**B=1631 lbs.**  
**C=1505 lbs.**  
**D=1456 lbs.**

REVISE ON CAD ONLY			9586 58th Place Kenosha, WI 53144		THIS PRINT IS PROVIDED ON A RESTRICTED BASIS AND IS NOT TO BE USED IN ANY WAY DETRIMENTAL TO THE INTERESTS OF CENTRISYS. Title: Cs18-3.DM.GB Centrifuge, PA69 General Arrangement Project:			
	CENTRIFUGE SYSTEMS		Tel: (262) 654-6006 Fax: (262) 654-6063					
	Designed by: L.G.	Date: 5/20/08	3rd Angle Projection	Material(s): See BOM		Part #: 17655	Drawing #: M-C17655	
	Drawn by: L.G.	Date: 5/20/08				Estimated weight (lbs): 5707	Sh: 1 OF 1	Scale: 1:18
	Chk'd by:	Date:				Approved by:	Date:	REV