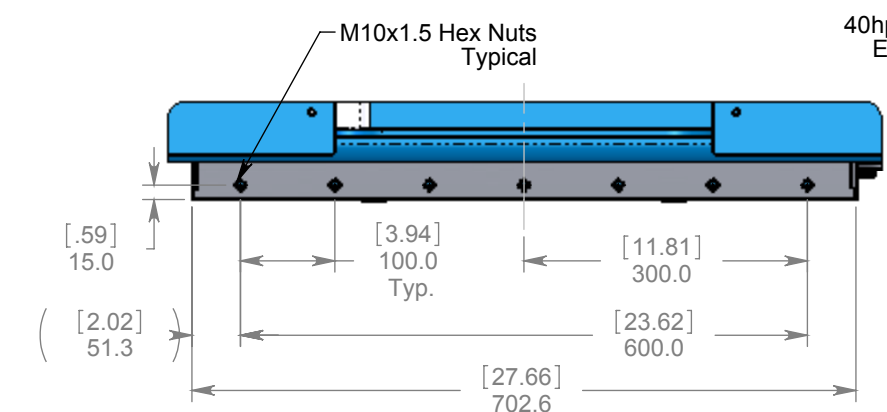
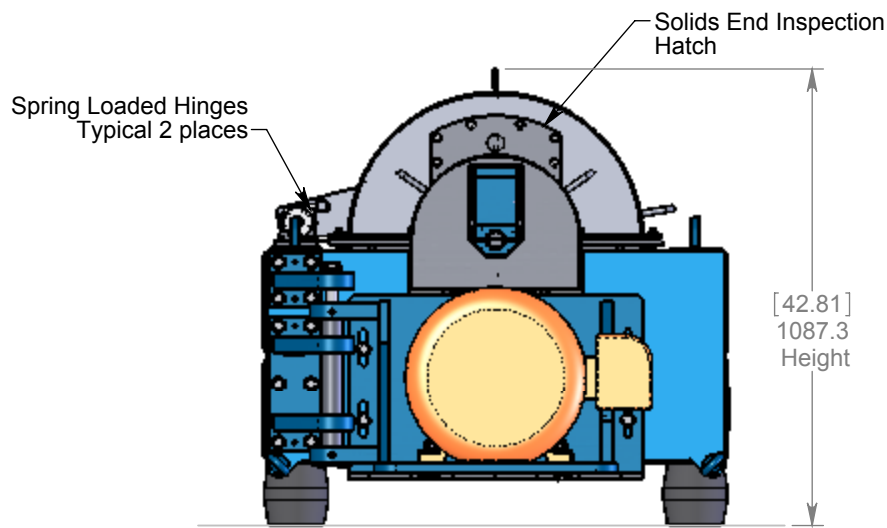
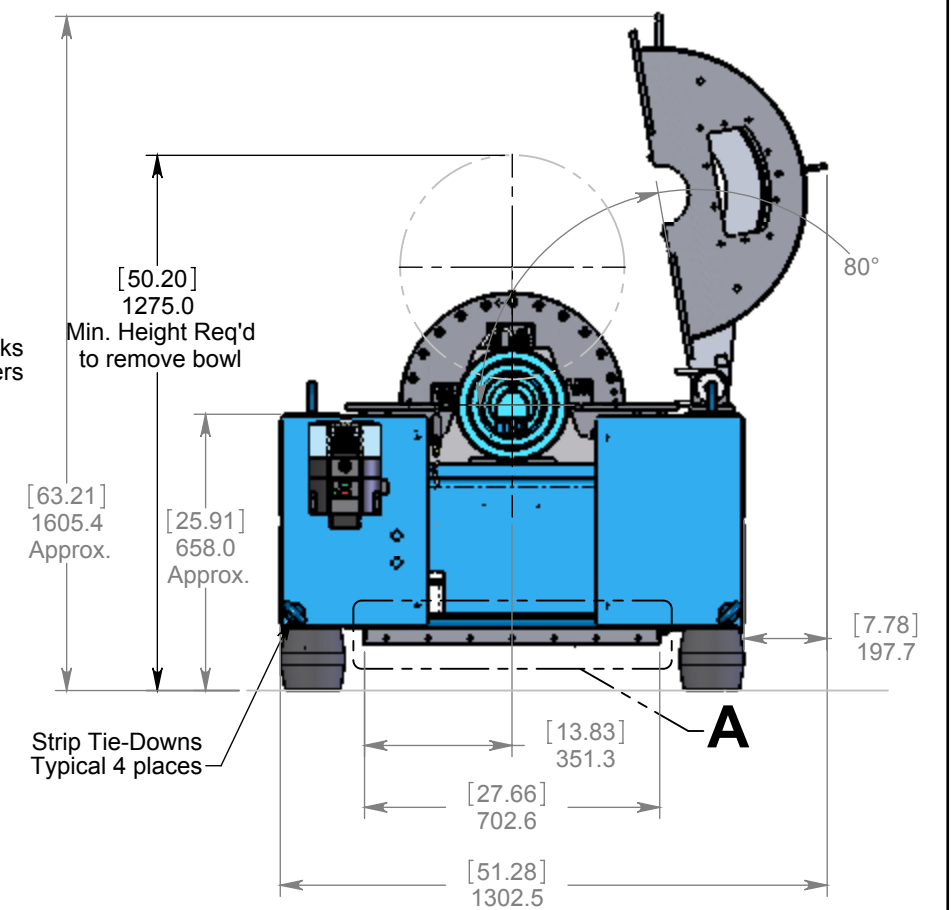
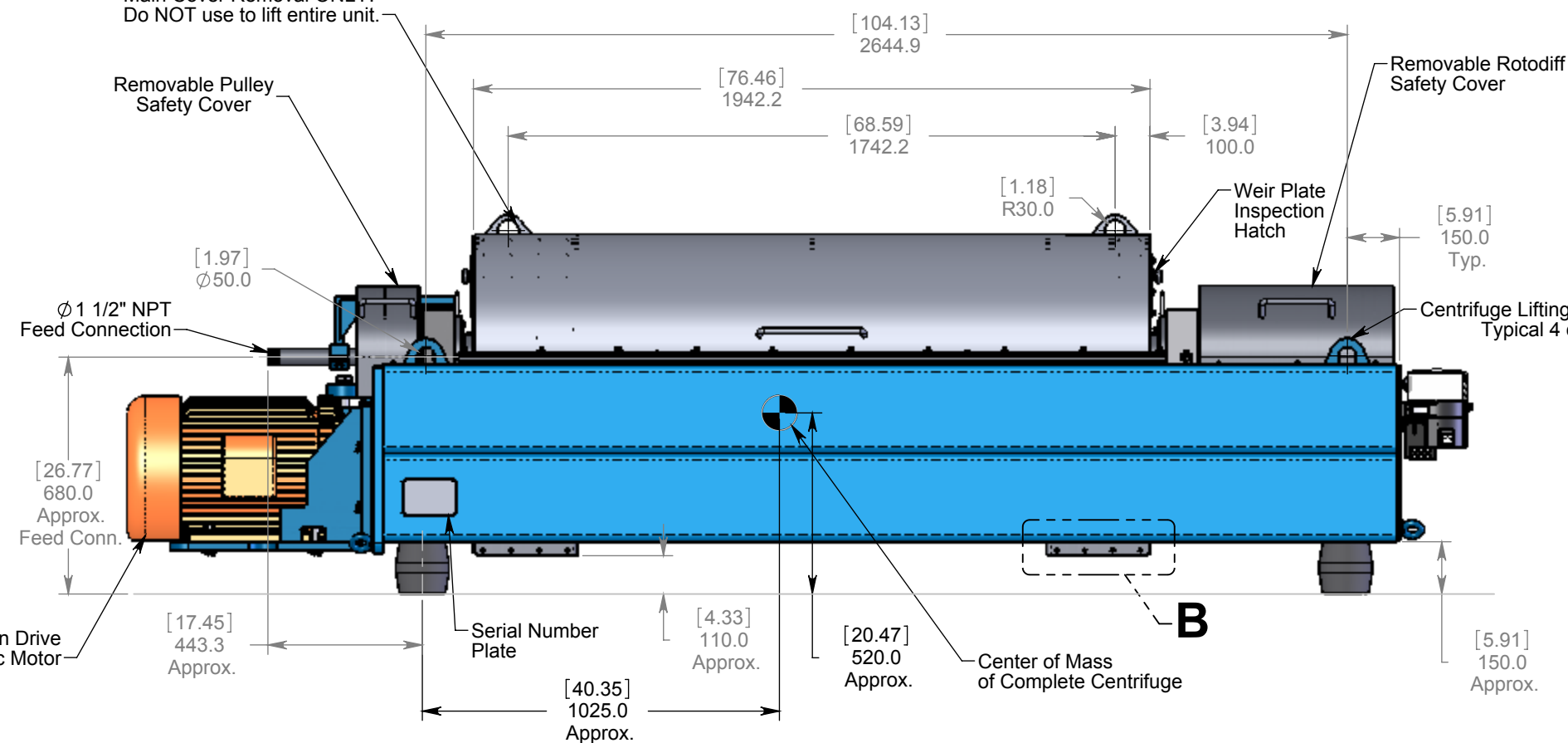
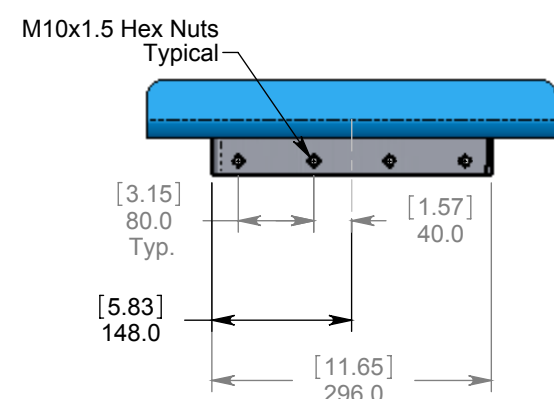


[Shown without Covers for Clarity]

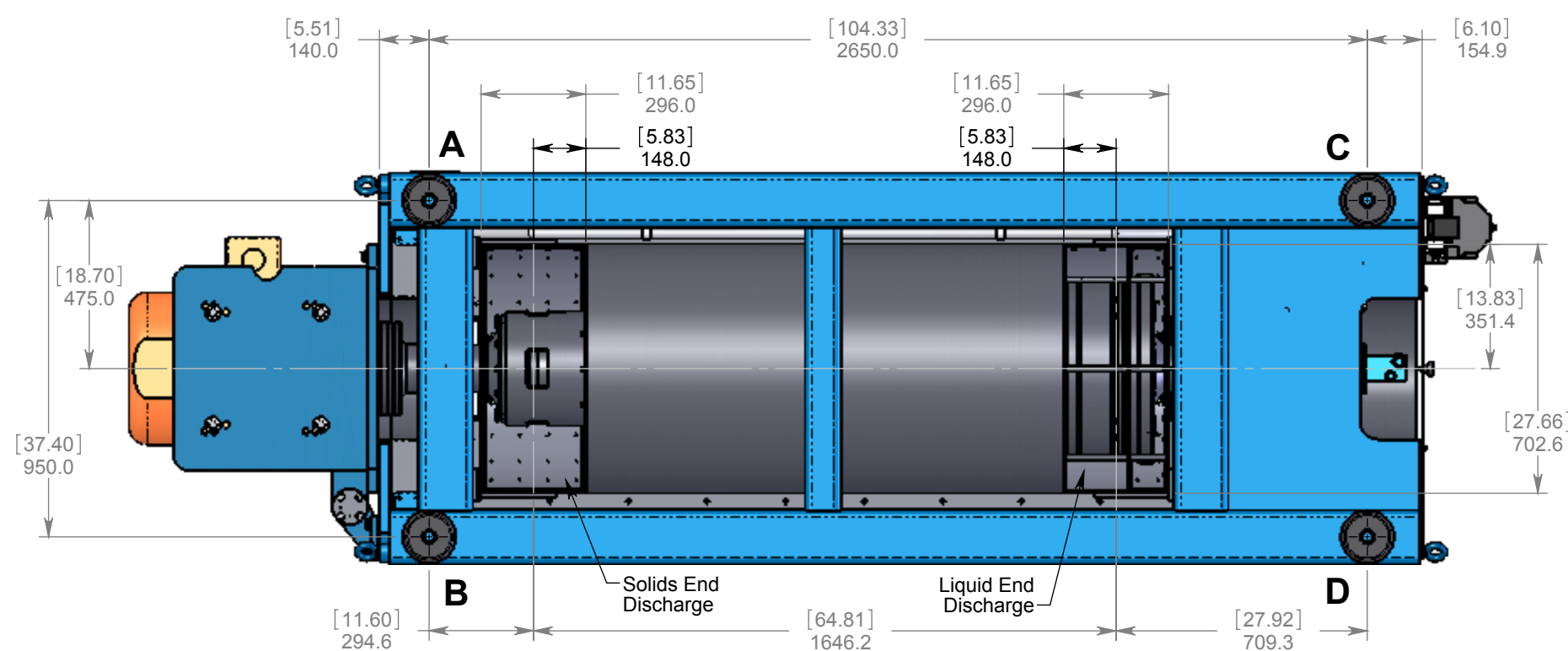
NOTE:
Cover hooks to be used for Main Cover Removal ONLY.
Do NOT use to lift entire unit.



DETAIL A
SCALE 1 : 8



DETAIL B
SCALE 1 : 8



WEIGHTS:

Rotating Assembly.....2480 lbs. (1125kg)
 Bowl Filling with Specific Gravity of 1.0.....350 lbs. (159kg)
 Complete Centrifuge (without Bowl Filling).....6500 lbs. (2950kg)
 Static Load below each corner of complete Centrifuge
 Front
 A = 1995 lbs. (905kg) Rear
 C = 1255 lbs. (570kg)
 B = 1995 lbs. (905kg) D = 1255 lbs. (570kg)
 Additional Dynamic Load at corners (in percent of Static Load)
 Location At Operating Speeds At Passing Isolator Resonant Frequency
 Vertical 5% 30%
 Horizontal 1% 6%
 Isolator Resonant Frequency- 4.7 - 8.3 Hz (280 - 500 MIN)

REV.	DATE	DESCRIPTION	INL.	ECN
A	11/16/2007	Add Center of mass for rotating assembly	L.G.	-

*All dimensions are in millimeters
Dimensions in [] Brackets are in inches.

REVISE ON CAD ONLY			9586 58th Place Kenosha, WI 53144		THIS PRINT IS PROVIDED ON A RESTRICTED BASIS AND IS NOT TO BE USED IN ANY WAY DETRIMENTAL TO THE INTERESTS OF CENTRISYS. Title: Cs18-4 2-Phase Centrifuge General Arrangement Project: Part #: 15825 Drawing #: M-C15825 Sht: 1 OF 1 Scale: 1:18 REV-A	
	CENTRIFUGE SYSTEMS					
	Designed by:	L.G.		Tel: (262) 654-6006		Fax: (262) 654-6063
	Drawn by:	Date:	12/5/06	3rd Angle Projection		
	Checked by:	Date:		Material(s):		N/A
Approved by:	Date:		Estimated weight (lbs):	6485		