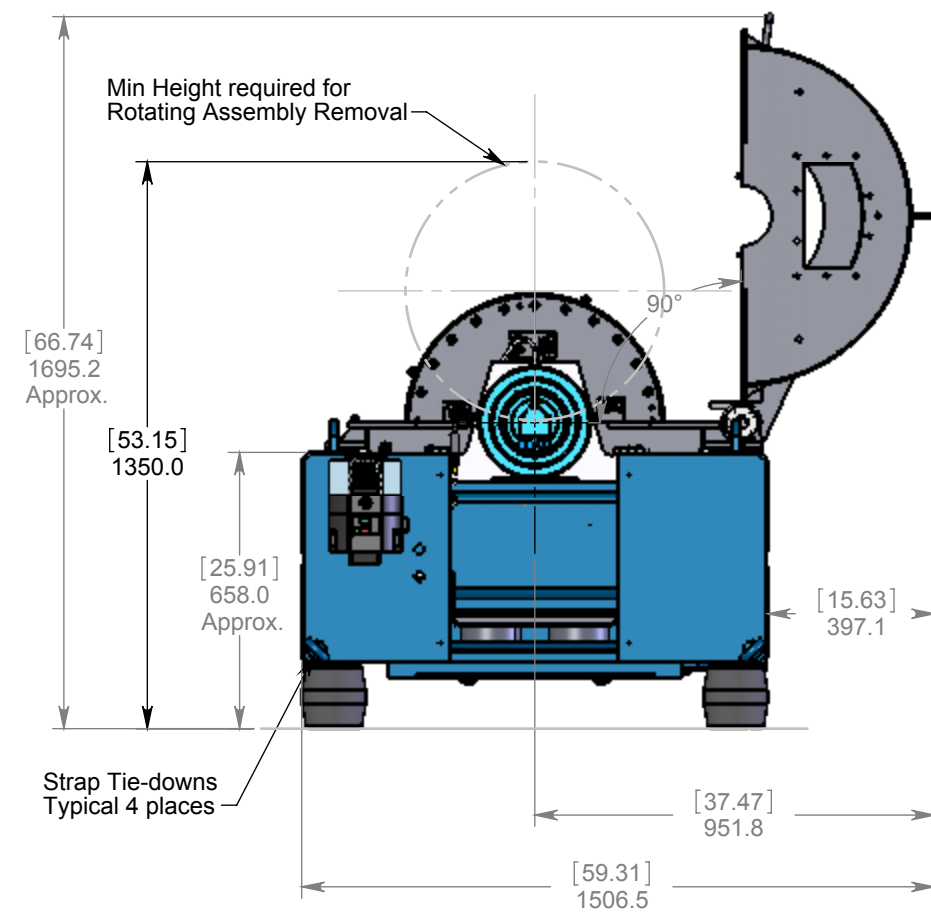
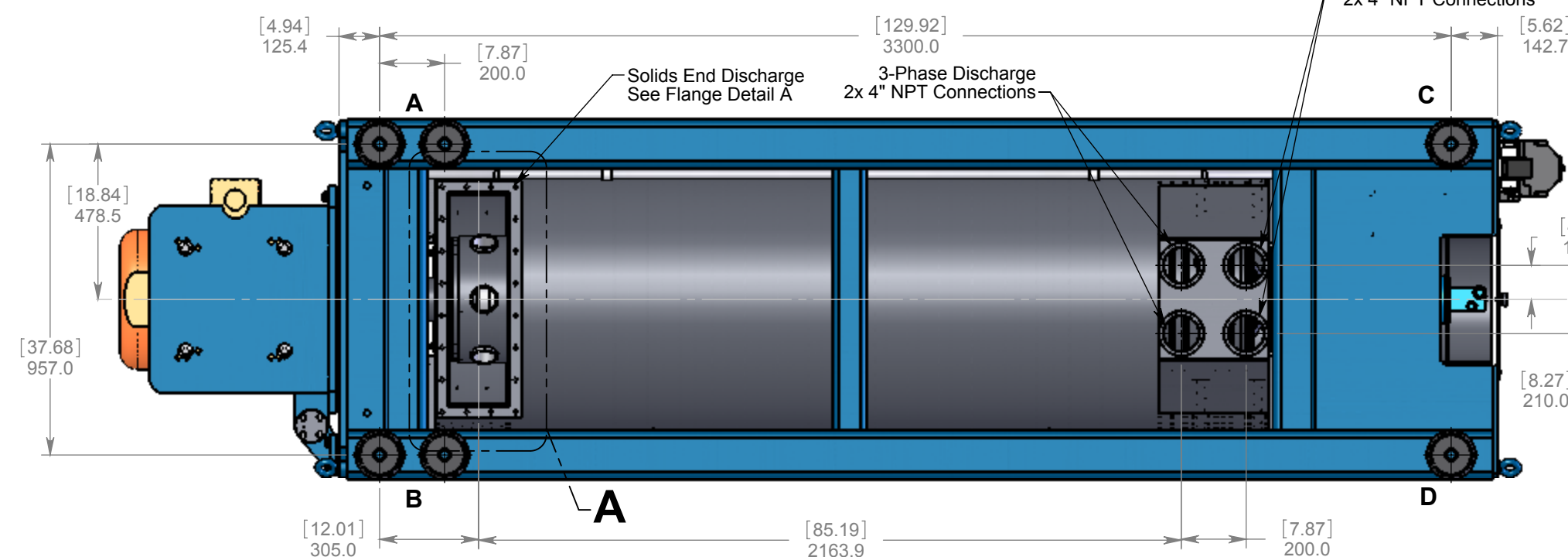


Flange Detail A
Typical 2 places



WEIGHTS:

- Rotating Assembly.....4400 lbs. (1996kg)
- Bowl Filling with Specific Gravity of 1.0.....615 lbs. (279kg)
- Complete Centrifuge (without Bowl Filling).....8300 lbs. (3765kg)

Static Load below each corner of complete Centrifuge

Front	Rear
A = 2450 lbs. (1110kg)	C = 1700 lbs. (772kg)
B = 2450 lbs. (1110kg)	D = 1700 lbs. (772kg)

Additional Dynamic Load at corners (in percent of Static Load)

Location	At Operating Speeds	At Passing Isolator Resonant Frequency
Vertical	5%	30%
Horizontal	1%	6%

Isolator Resonant Frequency- 4.7 - 8.3 Hz (280 - 500 MIN)

REV.	DATE	DESCRIPTION	INITIALS	ECN
A	6/23/08	Added Note, COM, Revised Motor Note	A.A.	n/a

REVISION TABLE

REVISE ON CAD ONLY			9586 58th Place Kenosha, WI 53144	
	Designed by: L.G. Date: 9/5/06		Tel: (262) 654-6006 Fax: (262) 654-6063	
	Drawn by: L.G. Date: 9/5/06		Project: Outline & Foundation	
	3rd Angle Projection		Part #: 15723 Drawing #: M-C15723	
	Estimated weight (lbs): 8300 lbs.		Sht: 1 OF 1 Scale: 1:18 REV-A	

THIS PRINT IS PROVIDED ON A RESTRICTED BASIS AND IS NOT TO BE USED IN ANY WAY DETRIMENTAL TO THE INTERESTS OF CENTRIFUGE SYSTEMS.