



Recover Base Fluids and Reduce Hydrocarbons

Centrisys Cuttings Dryer CD2600

The Centrisys CD2600 is a VCD designed to recover base fluids and reduce hydrocarbons from drill cuttings. Operation is based on centrifugal force, enabling a high performance and efficient process. The CD2600 is designed for oil based drill cuttings management where operators are concerned about drilling fluid losses and the environmental impact of oily cuttings. Based on feedstock, liquid content can go below 4%.

The CD2600 operates with a manual NEMA 7X Class 1-DIV 1 explosion proof starter. VFD controllers are customizable, based on process specifications. Electrical control systems are designed with the following:

- Class 1/DIV 1 panel enclosure
- Start-up control panel
- Soft start with by-pass
- Mount frame with certified lift lugs
- (1) 25' input cable (#2, 4C)
- (1) 25' output cable (#2, 4C)
- (4) 25' output cable (#14, 4C)

The CD2600 incorporates several unique features:

- **Automatic shut-off** protects the gearbox when the oil pressure is low
- **Individually balanced rotating components** ensures a vibration-free environment

Hassle-Free Maintenance

- Wear parts are accessible from the top
- Belts are easily replaced without removing the drive assembly
- Entire assembly engineered to be removed with little effort

Custom Design Solutions

Systems can be fully engineered for customer specific needs including: support stands, wraparound decks/walkways, discharge chutes, handrails and jib poles. Mobile and containerized systems are our specialty.

PARTS AVAILABLE

Why wait? Centrisys has interchangeable replacement parts in-stock that work with ALL makes, models and brands of vertical cuttings dryers:

- Gear unit (Centrisys propriety design)
- Screens
- Flights
- Wear plates
- Rotors
- Motor packages
- Oil pumps
- Reservoir assemblies
- Belts
- Pulleys
- Cones

Benefits:

- Custom designed and built in the U.S.A.
- Centrisys field technicians service ALL makes, models and brands of vertical cuttings dryers
- ISO 9001:2015

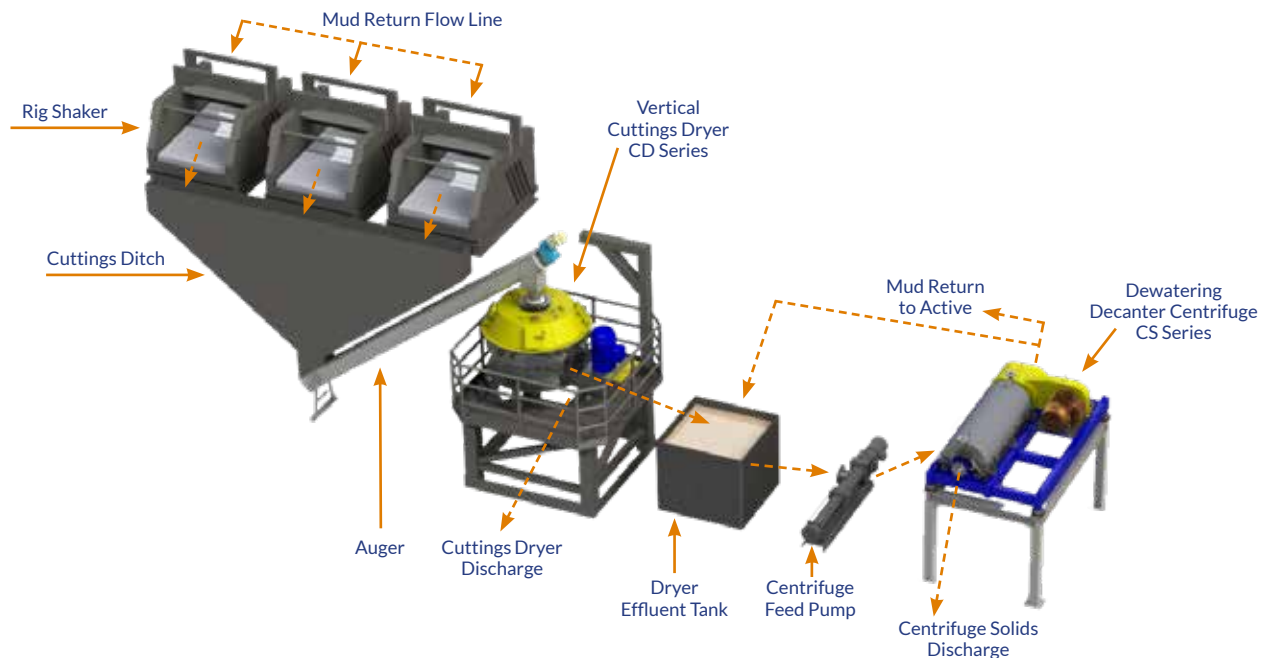
Lab Services:

Centrisys not only provides lab analysis and lab results, but also works with clients to provide reliable, economical and safe recommendations for individual processes.

- Particle size analysis
- Retort
- Bulk Density



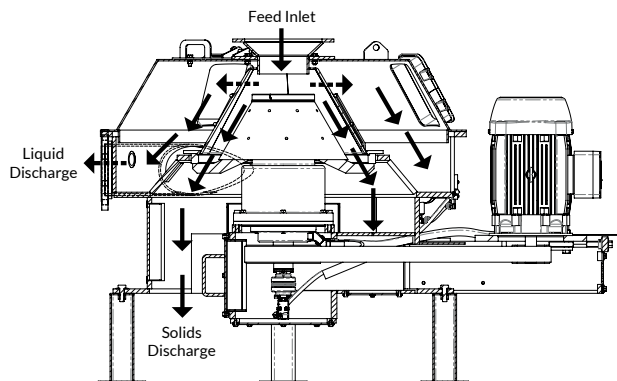
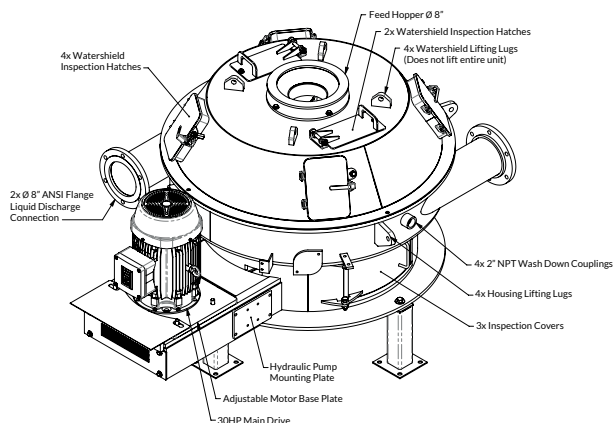
PRODUCT OVERVIEW: Vertical Cuttings Dryer CD Series



Vertical Cuttings Dryer CD Series

	CD2600
L x W x H in (m)	93 x 70 x 58 (2.4 x 1.8 x 1.5)
Weight lbs (kgs)	4,000 (1,814)
Screen Area sq ft (sq m)	7.11 (0.7)
Screen Type in (mm)	0.020 (0.51) standard, unless specified Profile Wire (opening depends on requirement)
Screen Oil	E.P. Gear Oil ISO 68
Maximum G-force	1,000-1,200
Estimated Capacity*	40 ton/hr
Oil Pump Motor HP (kW)	1/2 (0.4)
Main Drive Motor HP (kW)	30 (22.4)
Motors Classification	Explosion Proof, Class 1, Division 1
Motors Voltage/Frequency	Variable

*Intended as a guideline only and will vary depending on feed material.



Questions about Centrisys technologies? Contact us today!

Corporate 9586 58th Place | Kenosha, WI 53144 USA P +1 (262) 654-6006 E info@centrisys.com

Global Presence North America | South America | Europe | Middle East | China



ISO 9001:2015

POCD2017v1EN